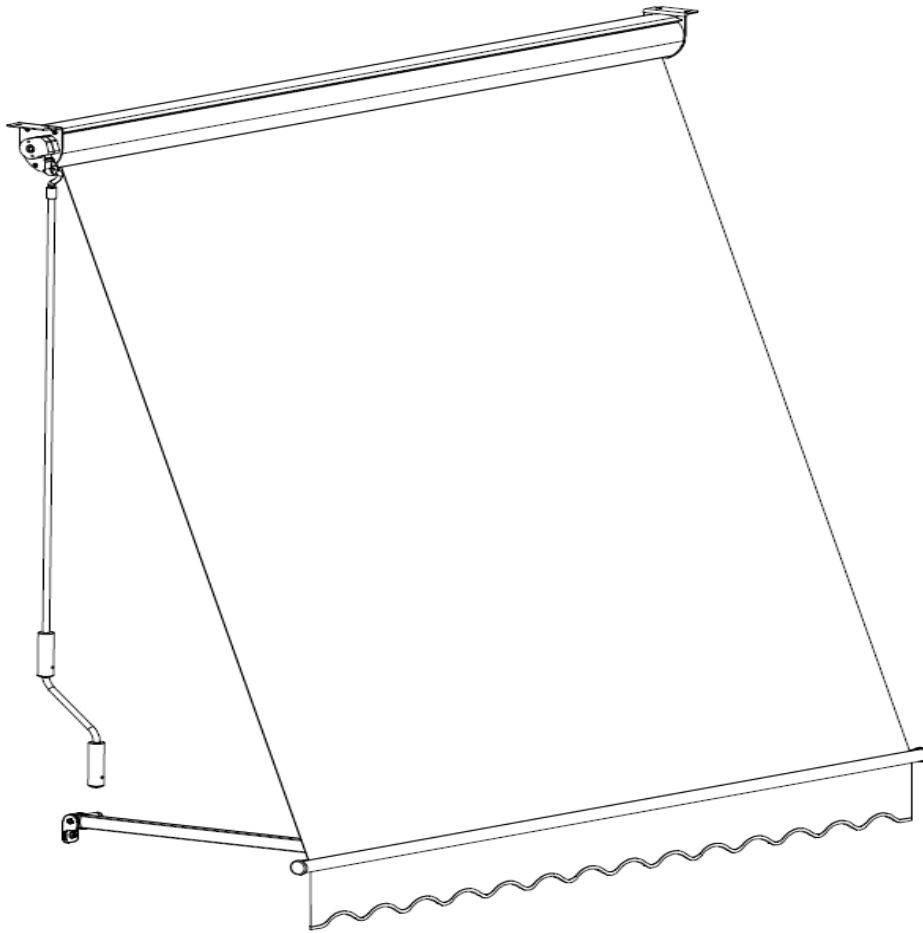


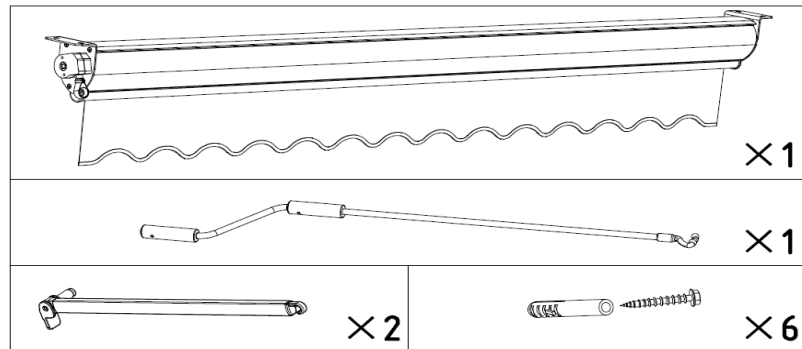
Mounting and User Instructions for Window awning manual operation



Attention:

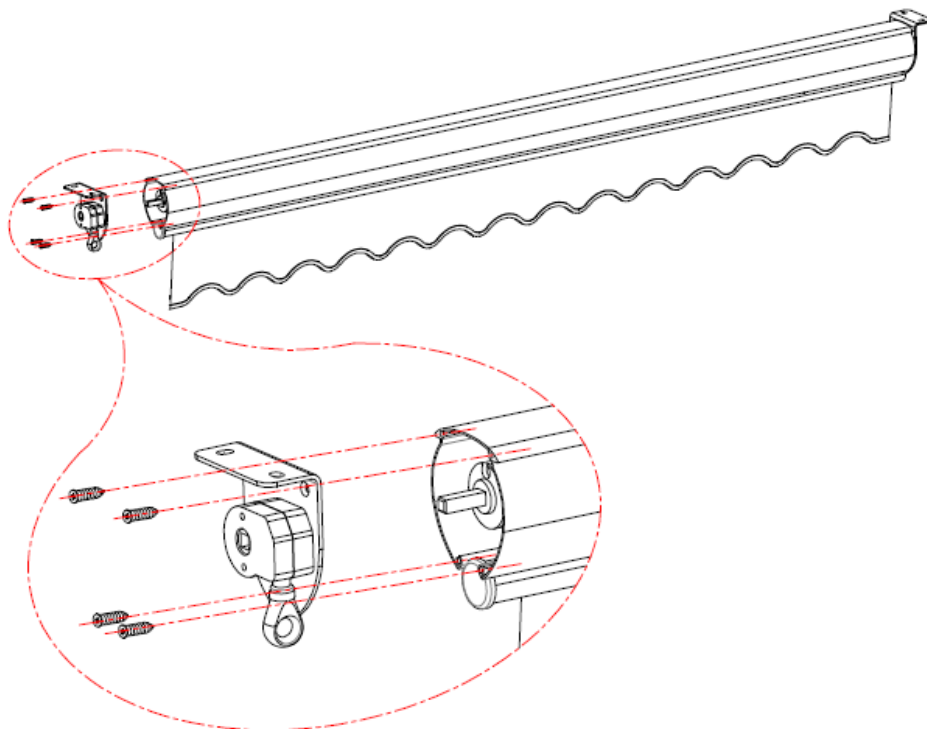
Read this instruction manual carefully and completely before mounting and usage. Keep this manual for future reference.

Packing list:

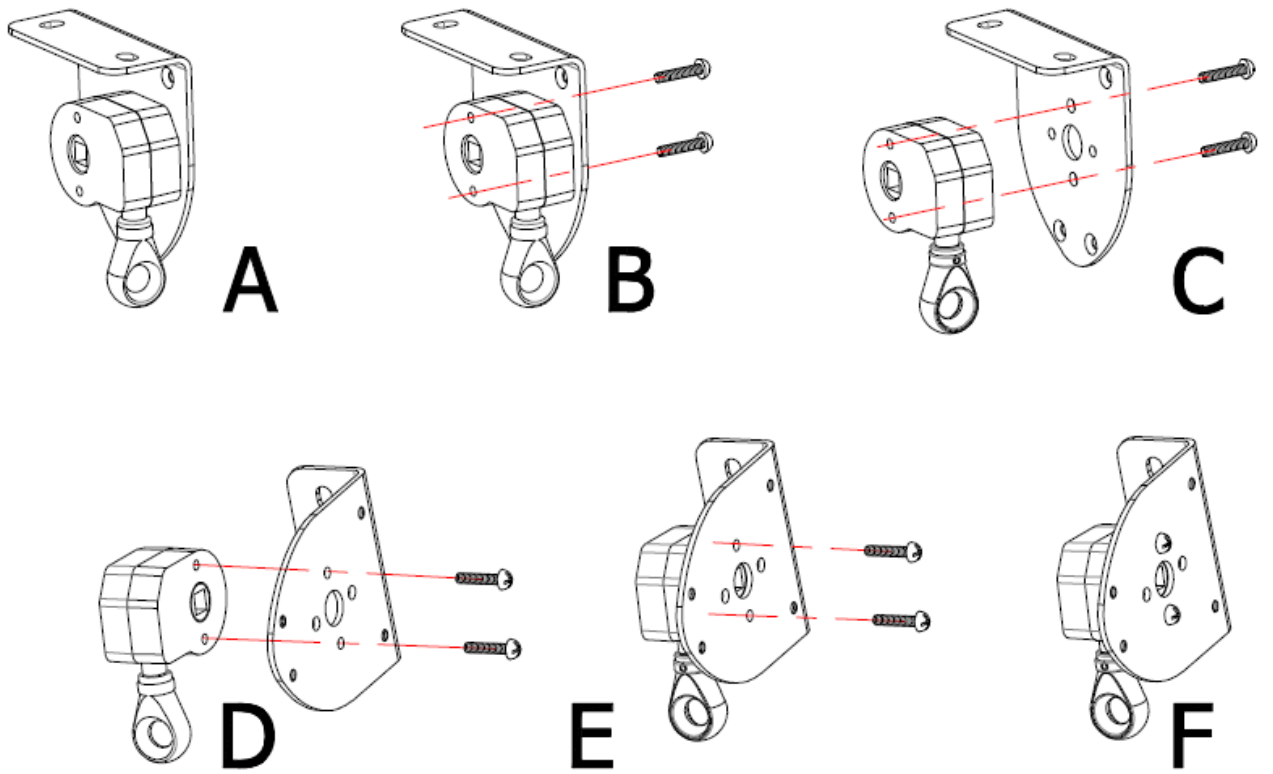


The gear box is at the left when shipped from factory. If you need to change the gear box direction to right, kindly finish it according to below steps.

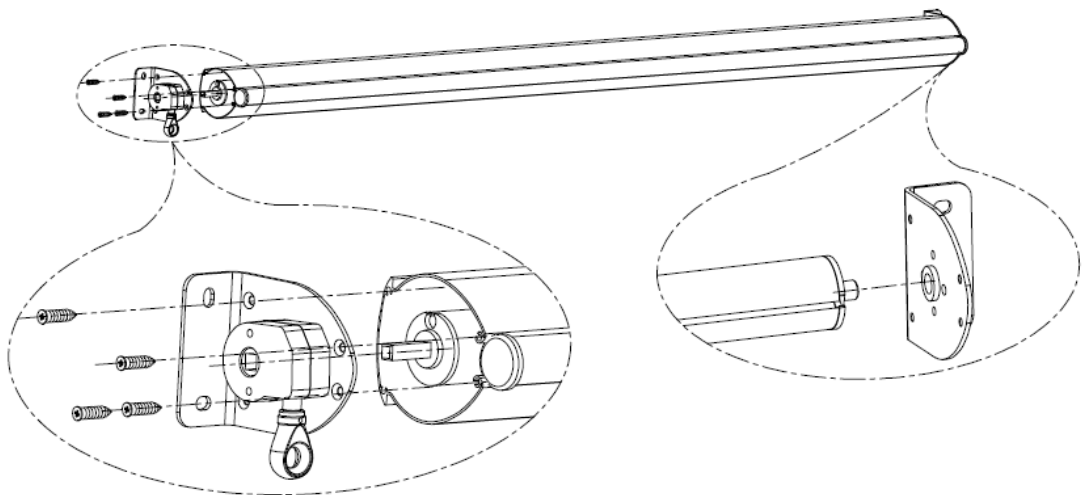
1. loosen the 4 screws for gear box and brackets and take them out shown as below drawings:



2. Loosen the screws as drawing B and take out the the gearbox as drawing C; Rotating the bracket 90 degree as drawing D and finding the right holes as drawing E and fastening the screws as drawing F.

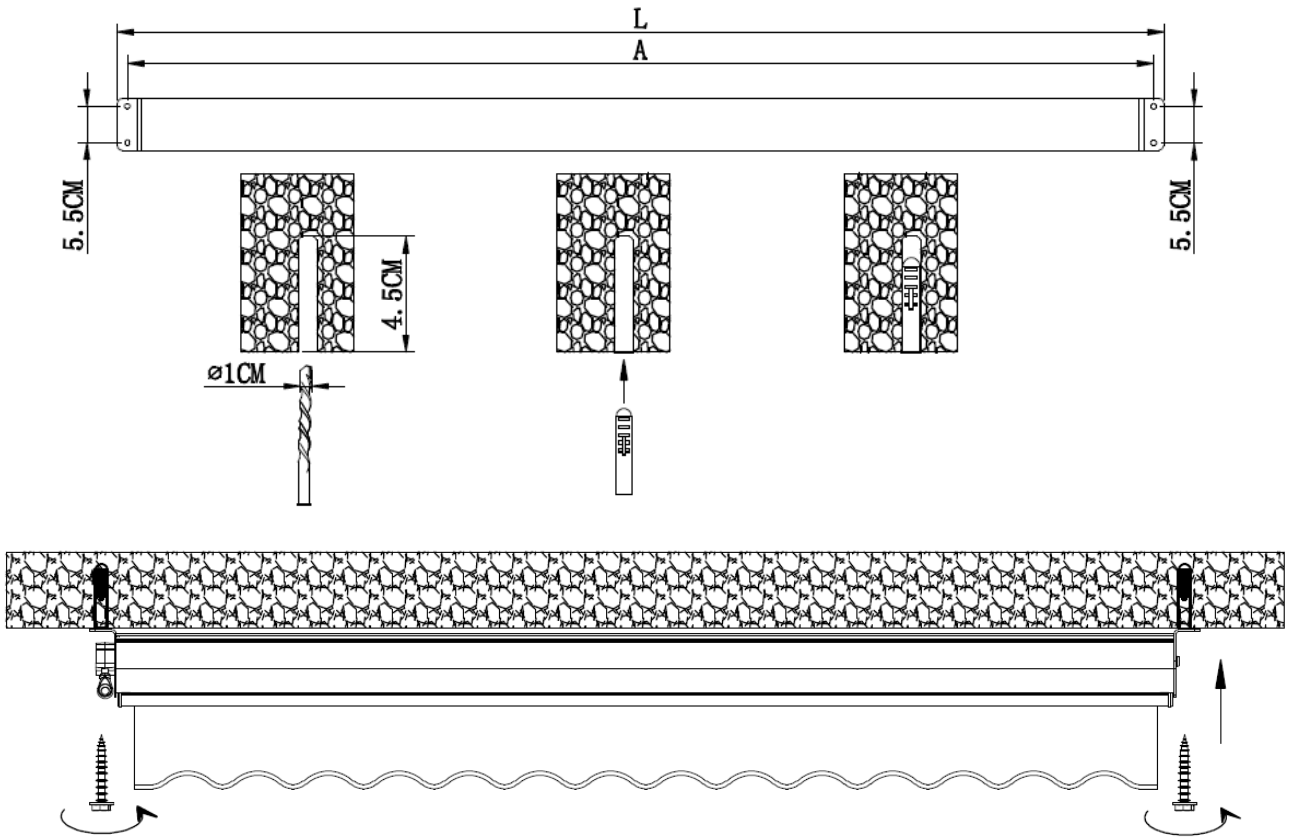


3. Fasten the screws of the brackets assembled with gear box to the awning cassette as below drawing and insert the round end cap to another bracket hole and ensure the square end cap to bracket.

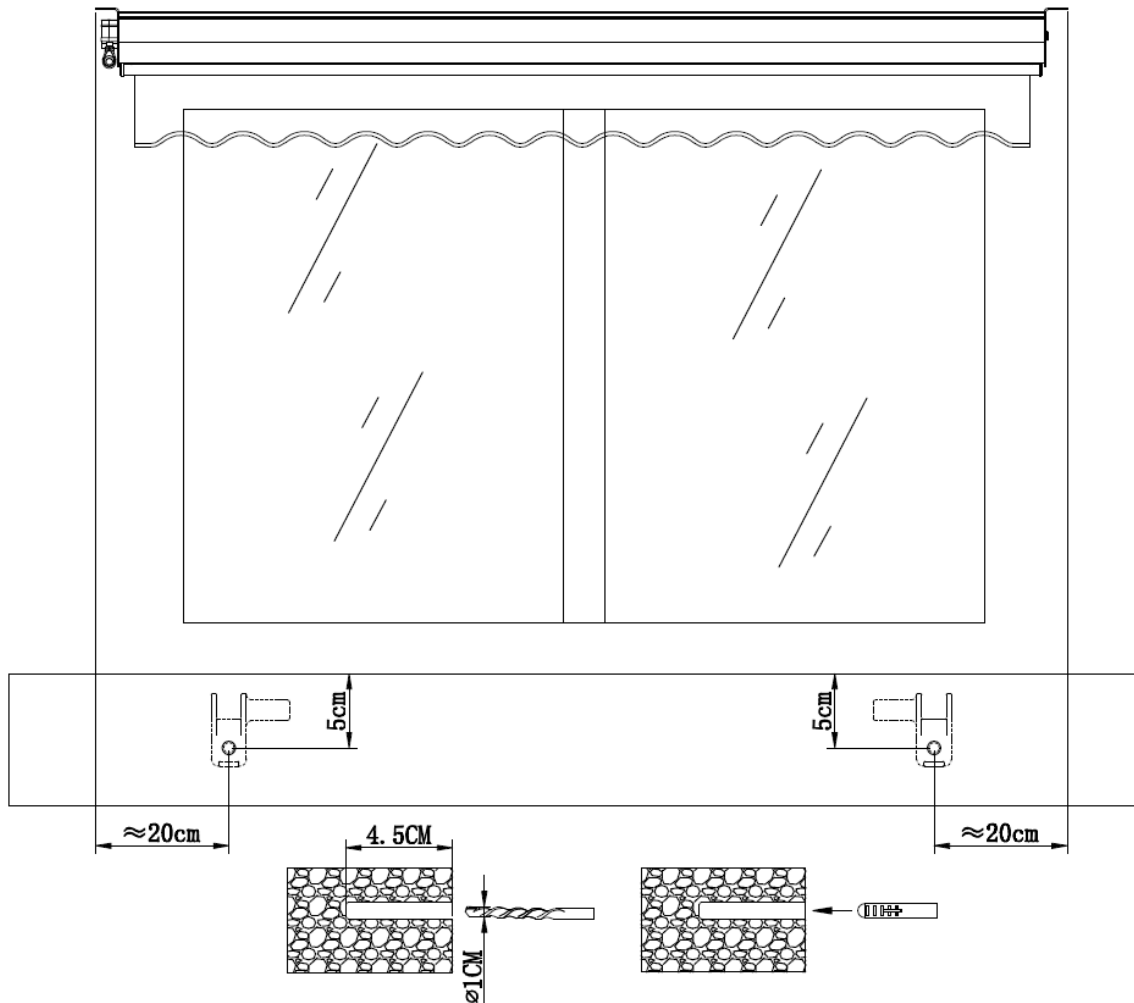


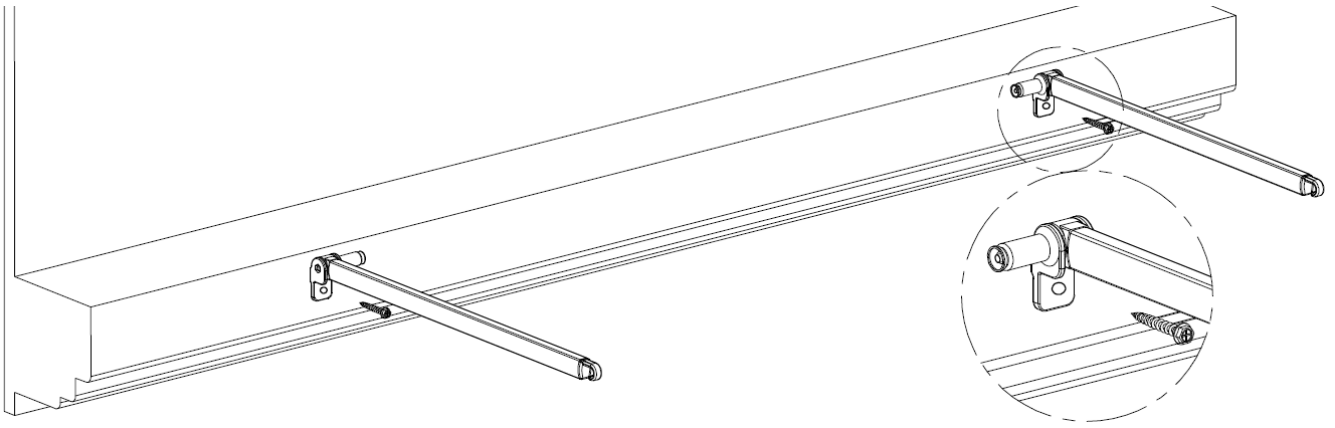
Bracket holes location:

Specification (CM)	L (CM)	A (CM)
120x70	120	116.8

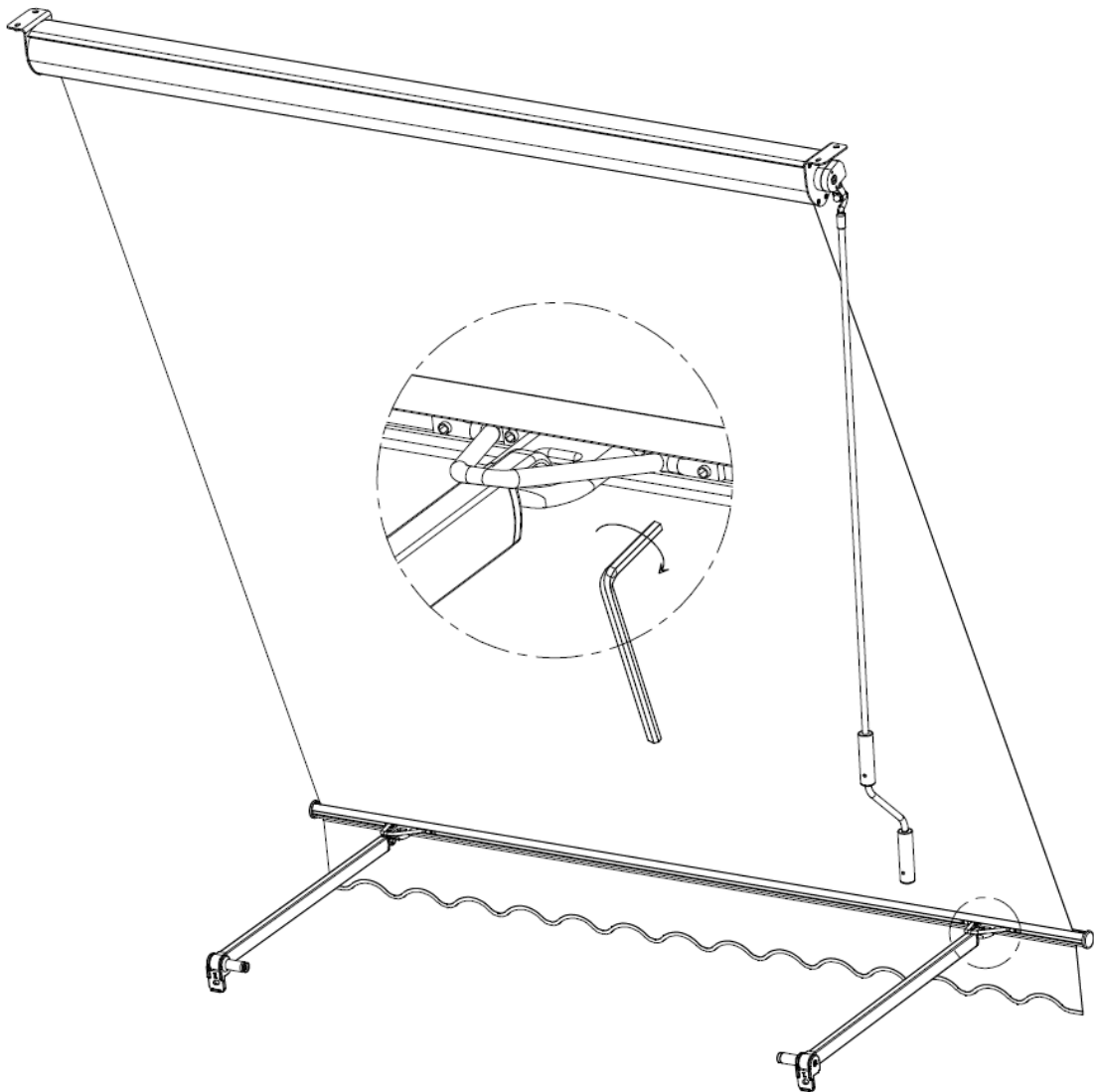


Arm installation:



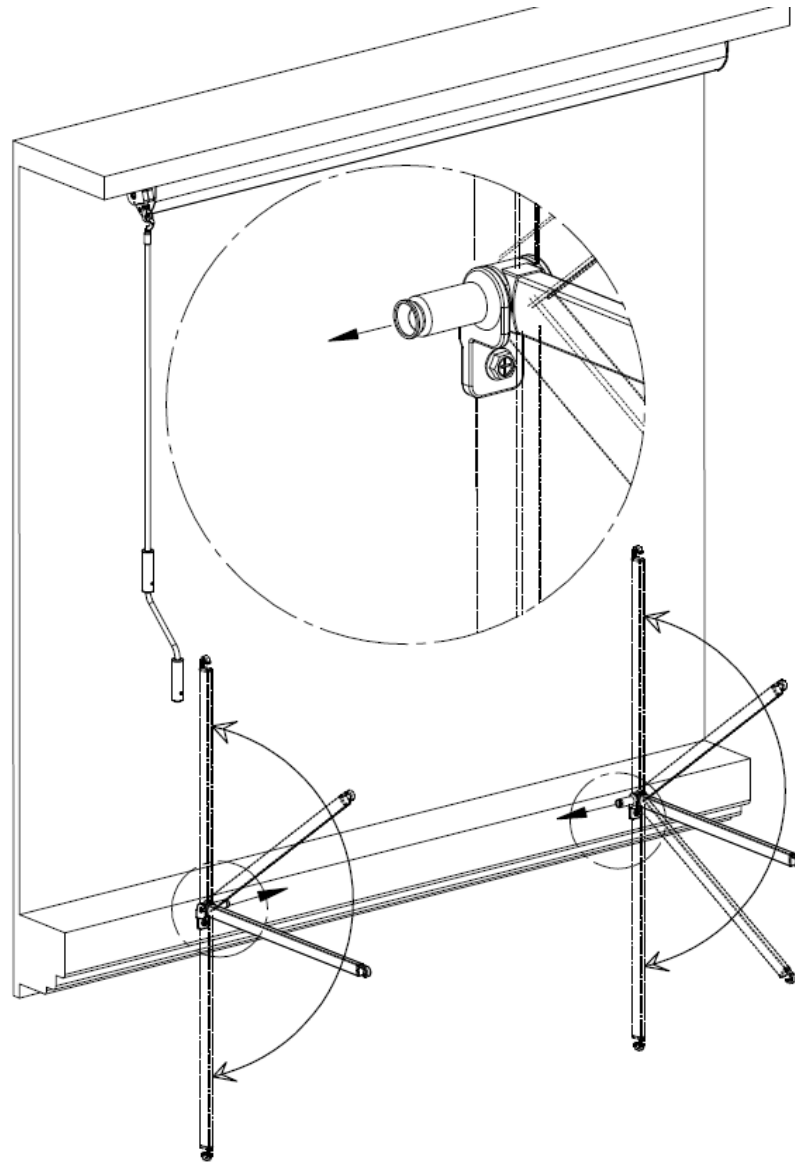


Retracting out the fabric fully, then hang the arm hook part into front bar hook and move front bar hook until the arm being horizontal and fasten the screws of hook.

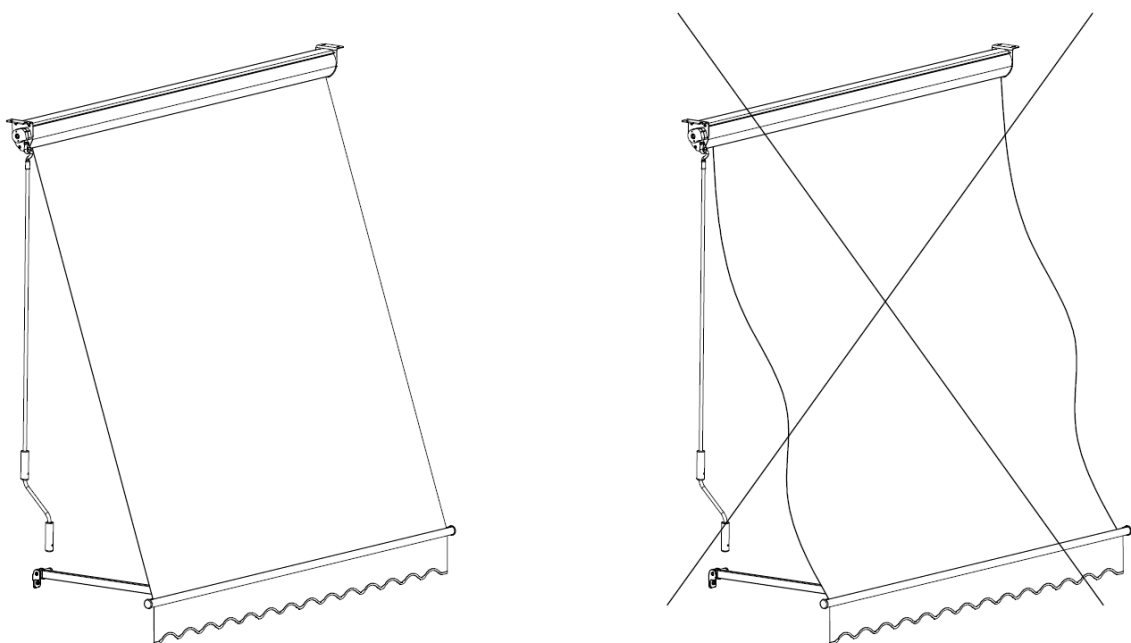


Usage

Pull out the both caps as below drawing and rotate the arm to right degree.



Adjusting the arm degree in right position and close the awning and ensure the fabric tight.





The awnings are intended as a protection against the sun only. It is not to be used during periods of strong wind, rain, hail, or snow. In case of such conditions, retract the awning immediately.



Never allow children to play with the awning.



Be sure the fabric is tensioned. If the fabric is not tensioned during extension, please turn counter-clockwise until the fabric is tensioned.



Do not put any objects or parts of your body e.g. hands, in the awning while extending and retracting. Hazard of crush!

Maintenance

Regular maintenance will not only help to keep a long durability but also is important for your own and the other people's safety.

- ◆ Check the bracket and Hangs Taiwan bolt regularly if they all keep tight
- ◆ Check the electrical machine running normally, if find any problem, please stop use the awning .
- ◆ Examine the bolts and nuts once in half a year, fasten them if loose or lax.
- ◆ Stop using the awning immediately if is has been damaged or it is not tighten properly.

Please contact an authorized service center for repair and if you have any further questions.

Normally it is not necessary to lubricate moving parts of the awning. However, if it will become necessary on day, e. g. because of abnormal noise or because extracting is difficult, do only use lubricants that can be used for plastic materials, do not use lubricants that are based on petroleum.

Use a straw attached to the spray nozzle. Lubricate generously the area between the end of the roller tube and the end bracket (pivot pin). Take care not to overspray on the fabric material.

Cleaning

Frame: Over time, dust and dirt will collect on the frame and will require periodic cleaning to maintain its appearance.

A mild spray cleaner or water/detergent mixture may be applied to the frame to clean it. Wipe dust off with a damp cloth. Do not use aggressive detergents e. g. to clean oil residues.

Fabric: Clean the fabric every six months.

Only use natural soap, never use chemical detergents. Water should be cold to lukewarm. Let the fabric dry completely. Do not use heating appliances e. g. hairdryer for drying.

Dismounting

When you don't want to use the awning anymore or if you want to dispose it one day you have to demount it.

Attention! At least two healthy adults are need for this step.

- ◆ Retract the awning completely before you begin with dismounting. Bind the arms of the awning together to avoid unintended unfolding. This might cause damage and injury. You can use the protection band that was fixed on the awning when purchasing it.
- ◆ Follow the mounting instructions in reversed order to dismount the awning.
- ◆ Make sure that drilling holes in the wall will be sealed professional.
- ◆ **Attention! Safety hints and instructions have to be followed for dismounting as well.**

Storage

When you do not want to use the awning for a longer period of time it is recommended to take the awning out of the brackets and store it.

- ◆ Make sure that the fabric is dry completely before storing. Storing a wet fabric can cause spots and damage.
- ◆ Store the awning at a dry and safe place that is not reachable for children.

Disposal

Do not dispose this awning with other household wastes. To prevent possible harm to the environment or human health from uncontrolled waste disposal, recycle it responsibly to promote the sustainable reuse of material resources. To return your used device, please use the return and collection systems or contact the retailer where the product was purchased. They can take this product for environmental safe recycling. Dispose packing materials according to local guidelines.